


21700651	DATA SHEET	
Valid from: 01.04.2020	EPIC® DATA ED-IE-AXS-5-PN-20-FC	

Description

- Field mountable RJ45-connector acc. IEC 60603-7-5 1 shielded
- Color coding acc. to PROFINET standard
- For industrial ethernet



General characteristics

Connection method, connector	RJ45-plug, field mountable
Number of pins	4
Ambient temperature	-40°C to +85°C (-40°F to 185°F)
Degree of protection	IP 20
Shielding	Shielded
For cable-Ø	Ø5.5 mm to Ø10.0 mm

Variation

Article	Description	Valid cu-conductor	Valid insulation-Ø	Pin assignment
21700651*	ED-IE-AXS-5-PN-20-FC	AWG22/1 to AWG24/1 AWG22/7 to AWG27/7	1,0 – 1,6	PROFINET

Additional note

* Released Lapp-cables (for AWG22/19) 2170888.

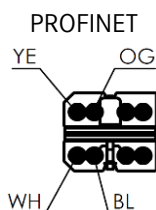
Electrical properties

Rated voltage	50 VAC / 60 VDC (max.)
Rated current at 50 °C	1 A
Pollution degree	2
Contact resistance	≤ 20 mΩ
Insulation resistance	≥ 500 MΩ
Withstand voltage	≥ 1000 VDC contact to contact ≥ 1500 VDC contact to shield


Transmission characteristics

Category (ISO)	5 (PROFINET Installation Guideline) 6 _A (Product Standard RJ45-connector)
----------------	---

Connector pin assignment



Creator: FELI1/PDP Released: IVSE1/PDP	Document: DB21700651EN Version: 01	Page 1 of 2
---	---------------------------------------	-------------

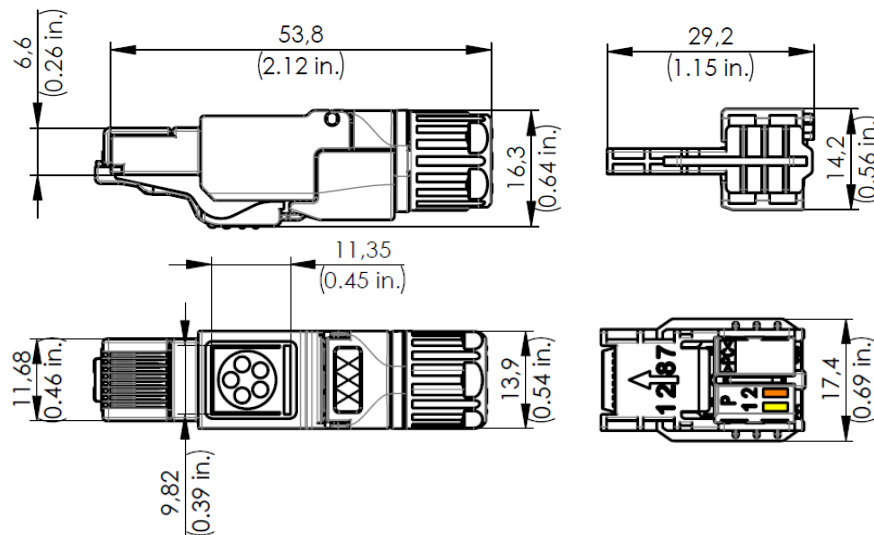
21700651	DATA SHEET	
Valid from: 01.04.2020	EPIC® DATA ED-IE-AXS-5-PN-20-FC	

Mechanical properties

RJ45-plug

Inflammability class according to UL 94	V0
Connector housing, material	Zink diecast Ni plated
Contact housing, material	PC crystal clear
Wire presorting, material	PC white
Hook, material	PC black
Strain relief lever, material	PBT black
Protection cap, material	PBT black
Screening shield, material	spring steel
PCB, material	FR4, soldermask both side
Piercing contacts, material	phosphor bronze, sn plated
Shield contact, material	brass, ni plated
Contact, material	spring steel, gold plated

Technical drawing



Standards / Approvals

Product standard, RJ45-connector	IEC 60603-7-51
Generic cabling systems	Profinet Installation Guideline

Approvals

UL listed, E-File	DUXR.E353543
-------------------	--------------

Application range

Automation, industrial machinery and plant engineering

Note

Photographs are not true to scale and do not represent detailed images of the respective products.

Creator: FELI1/PDP Released: IVSE1/PDP	Document: DB21700651EN Version: 01	Page 2 of 2
---	---------------------------------------	-------------